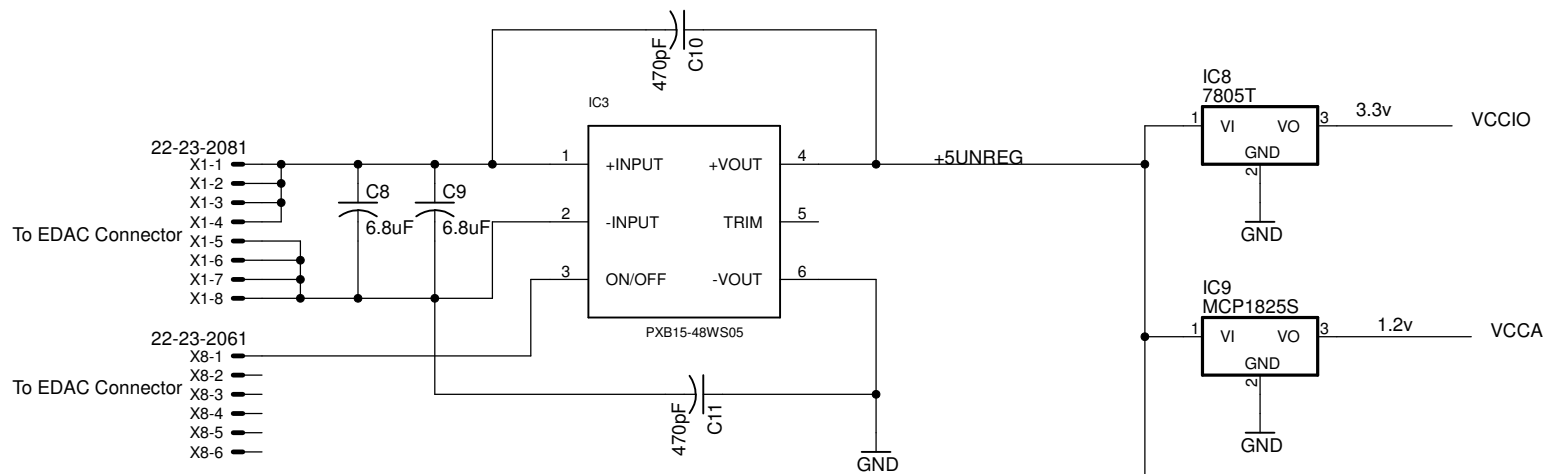
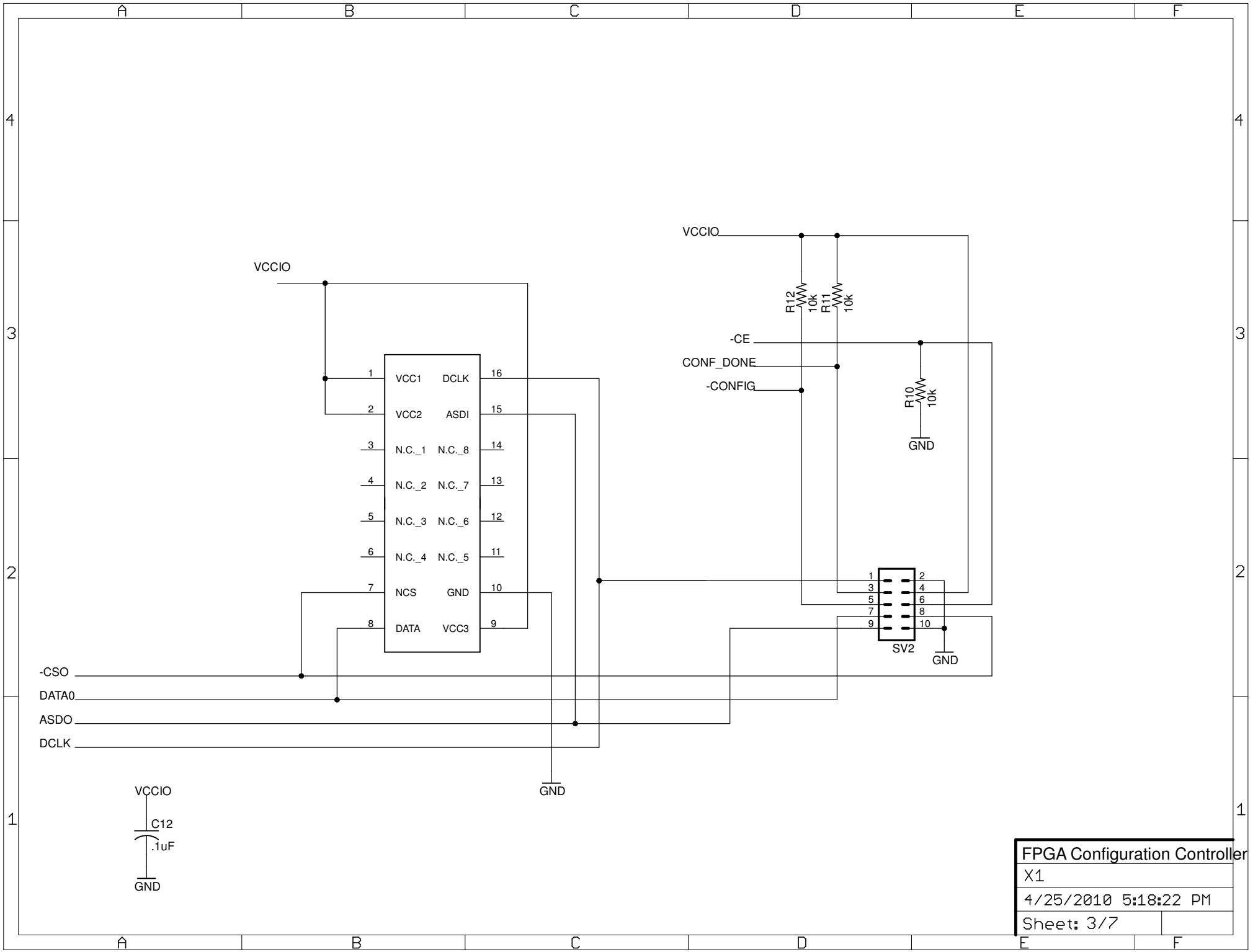


FPGA
 X1
 4/25/2010 5:18:22 PM
 Sheet: 1/7

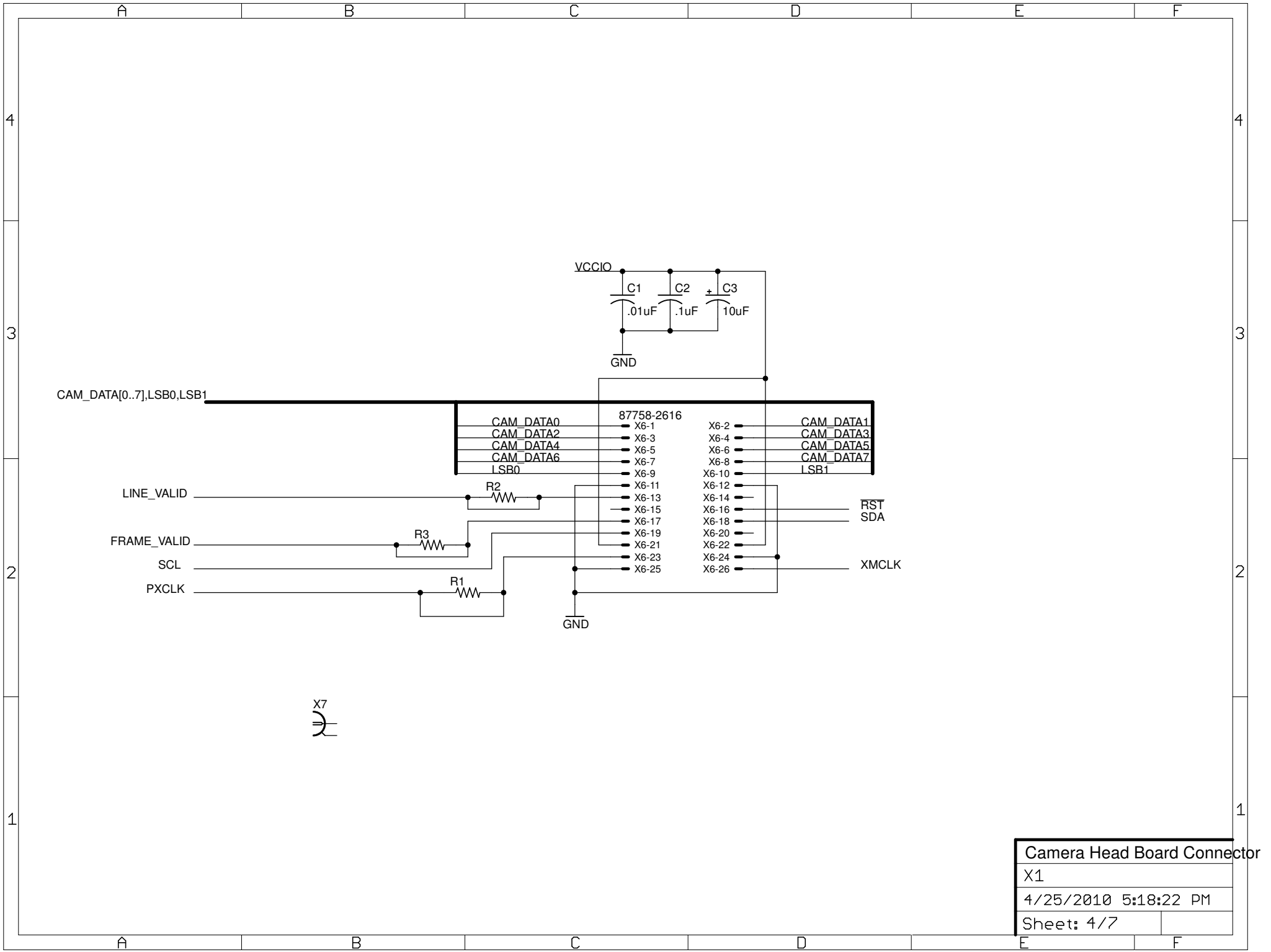


Connector X1 to EDAC Pin Assignments

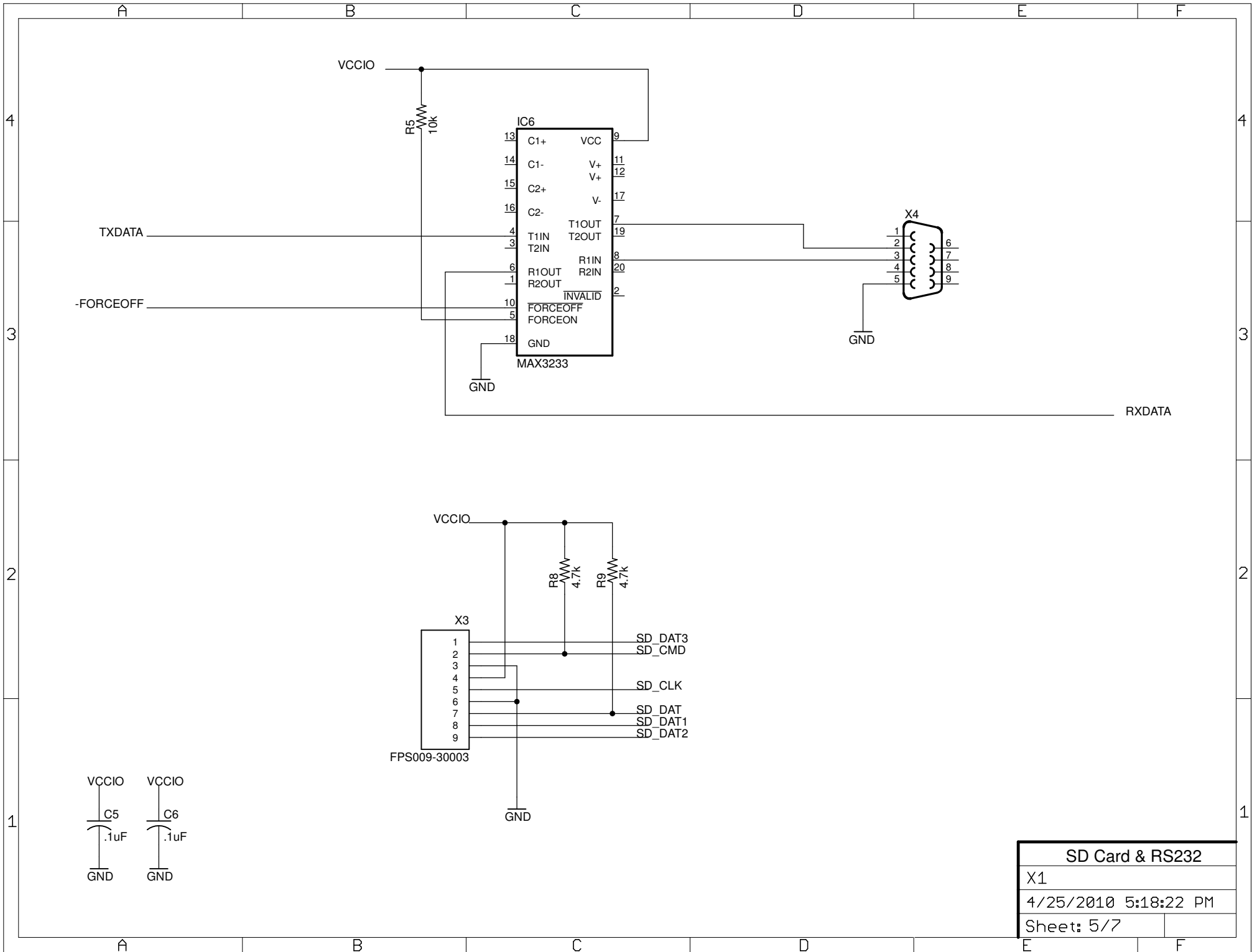
Function	EDAC Pins	Wire Color	Connector Pins
+30vDC	A, B, C, D	White with Red Stripe	X1 - 1, 2, 3, 4
Power Ground	W, T, U, X	White with Black Stripe	X1 - 5, 6, 7, 8
Discrete 1			X8 - 1
Discrete 2			
Analog 1			
Analog 1 Return			
Analog 2			
Analog 2 Return			



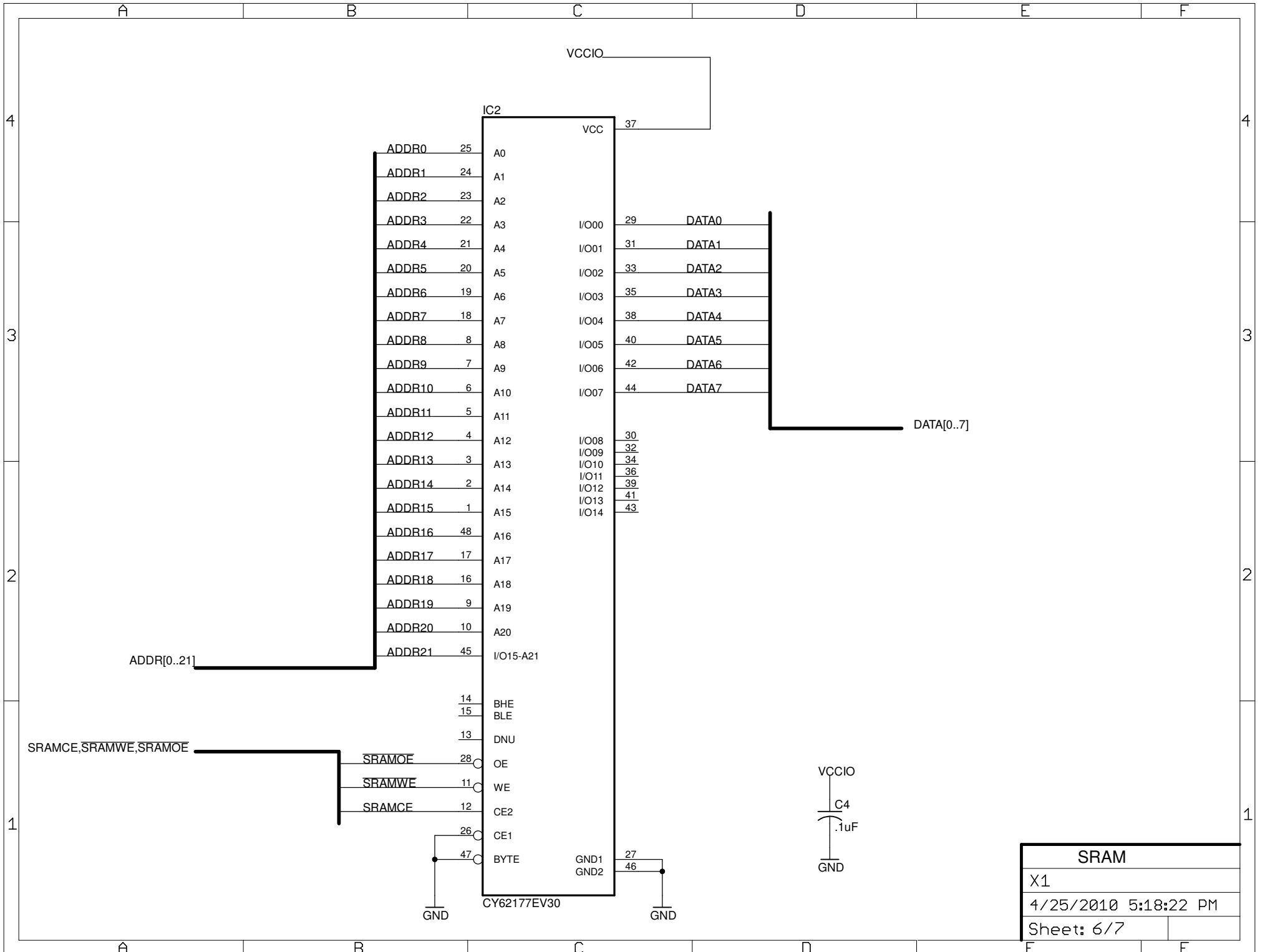
FPGA Configuration Controller	
X1	
4/25/2010 5:18:22 PM	
Sheet: 3/7	



Camera Head Board Connector
 X1
 4/25/2010 5:18:22 PM
 Sheet: 4/7

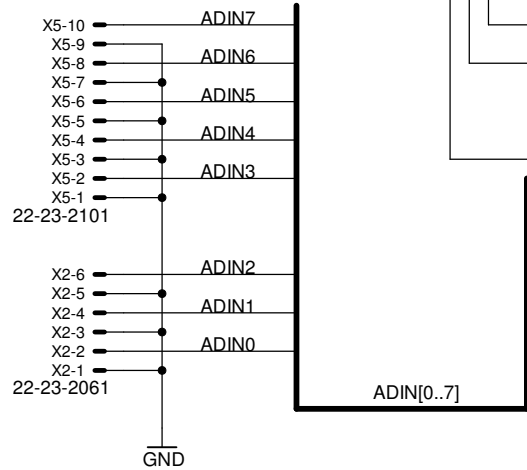


SD Card & RS232	
X1	
4/25/2010 5:18:22 PM	
Sheet: 5/7	

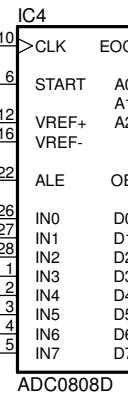


SRAM	
X1	
4/25/2010 5:18:22 PM	
Sheet: 6/7	

AD_OE
AD_CLK
AD_START
AD_ALE



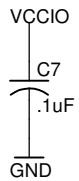
VCCIO



AD_EOC

ADDR[0..21]

DATA[0..7]



Analog to Digital Converter	
X1	
4/25/2010 5:18:22 PM	
Sheet: 7/7	