

Figure 12: Vertical Timing

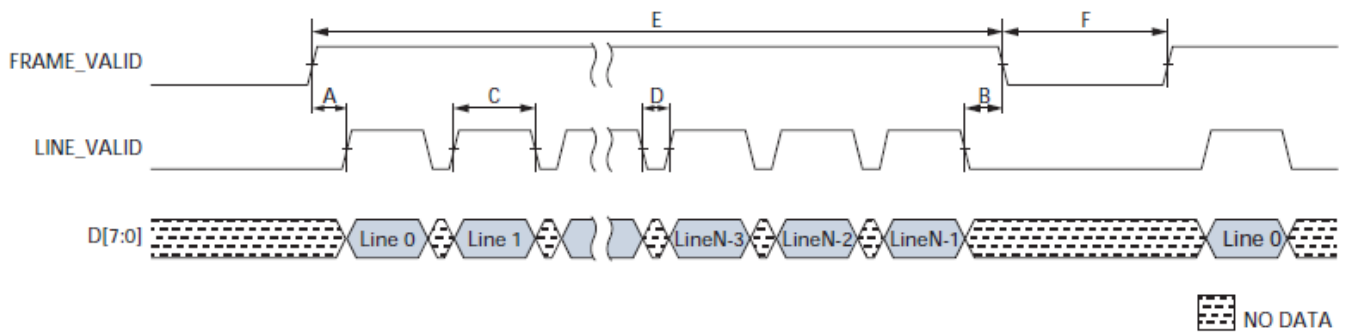
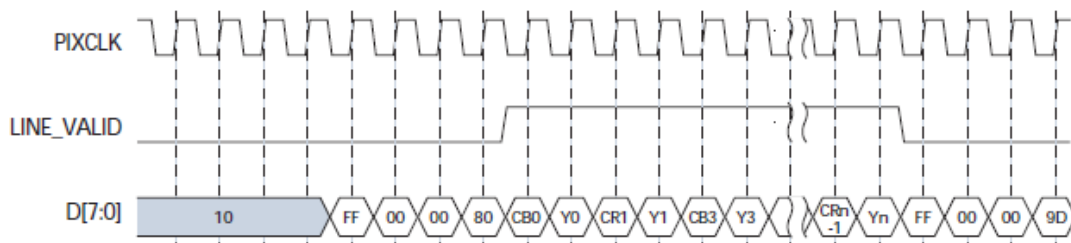


Figure 13: Horizontal Timing



- Notes:
1. Line start: FF00 0080.
 2. Line end: FF00 009D.

Write Timing to R0x09:0—Value 0x0284

